

SYLVANIA CHASSIS R45-1

ATTENTION

THIS DATA FOR USE BY QUALIFIED SERVICE TECHNICIANS ONLY.

CIRCUIT OF CHASSIS MAY VARY SLIGHTLY FROM THAT SHOWN HERE DUE TO NORMAL PRODUCTION CHANGES.

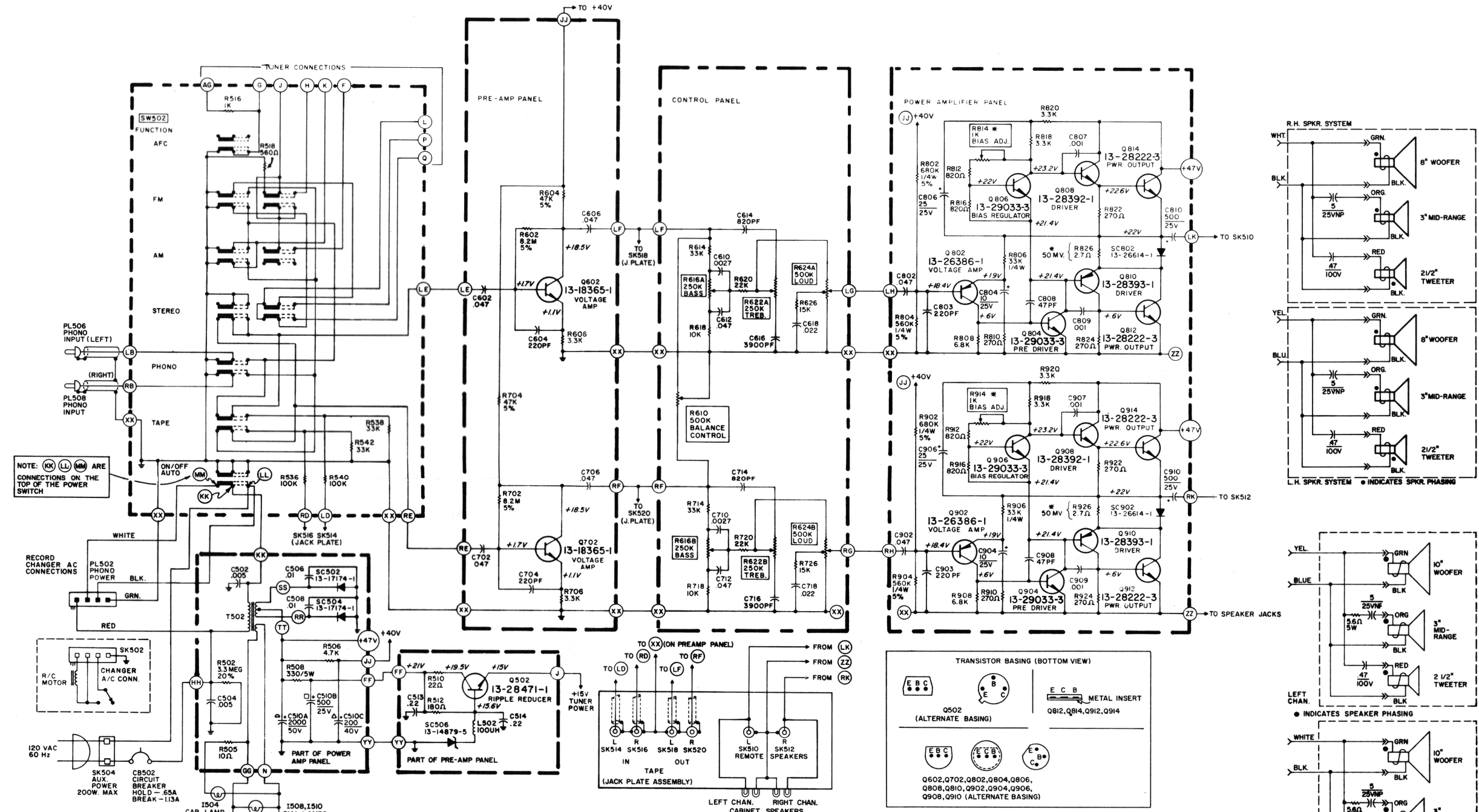
Complete service data on this instrument is available from your Sylvania Distributor or directly from the factory at a nominal charge. Also available, at a nominal charge, is a yearly subscription to Sylvania Service Data - ensuring complete service information on all models manufactured in a production year.

SYLVANIA

GENERAL TELEPHONE & ELECTRONICS

Printed in U.S.A. 05-24611-1

SCHEMATIC DIAGRAM (R45-1) AMP



NOTE: (KK) (LL) (MM) ARE CONNECTIONS ON THE TOP OF THE POWER SWITCH

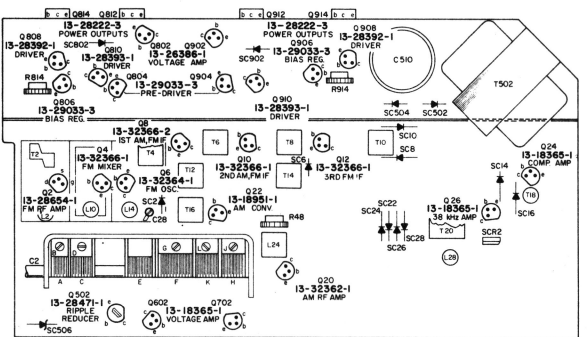
RECORD CHANGER A/C CONNECTIONS

R/C MOTOR CHANGER A/C CONN.

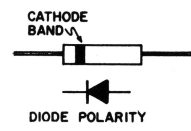
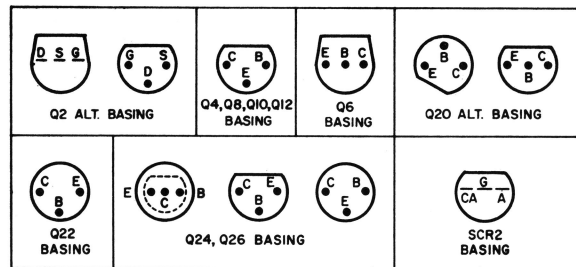
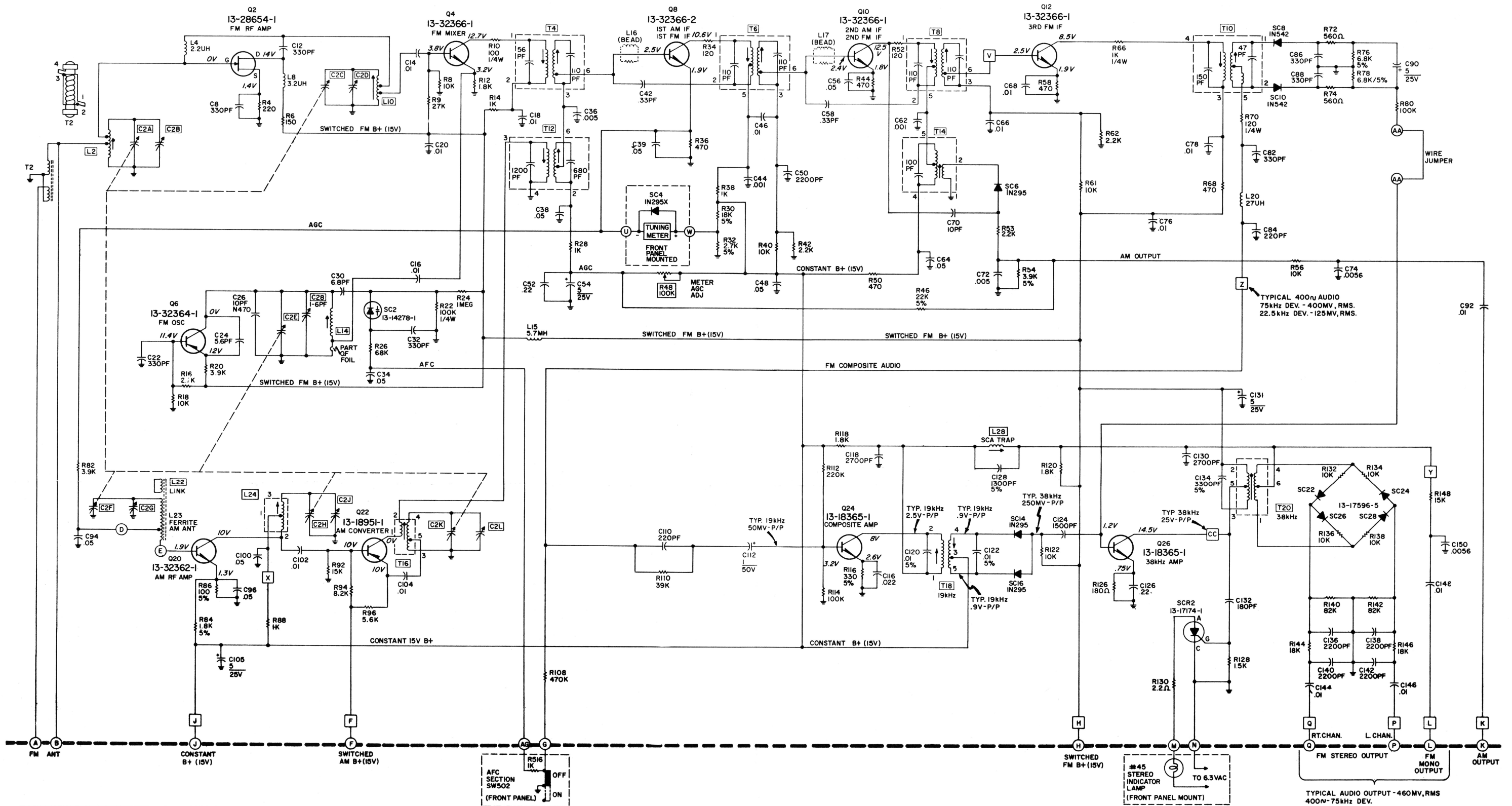
SK504 AUX. POWER 200W. MAX CB502 CIRCUIT BREAKER HOLD - .65A BREAK - 115A

- NOTES:
1. ALL RESISTORS ARE 1/2 WATT UNLESS SPECIFIED.
 2. CAPACITORS ARE IN MFD UNLESS SPECIFIED.
 3. ALL VOLTAGES GIVEN WITH NO SIGNAL INPUT.
 4. LINE VOLTAGE - 120 VOLTS, 60 HERTZ.
 5. VOLTAGES WILL VARY DUE TO NORMAL PRODUCTION TOLERANCES.
 6. REPLACE ALL TRANSISTORS WITH EXACT TYPE SPECIFIED.
 7. * ADJUST R814 FOR 40-60 MV ACROSS R826.
 8. * ADJUST R914 FOR 40-60 MV ACROSS R926.

TRANSISTOR LAYOUT



SCHEMATIC DIAGRAM (R45-1) TUNER



- NOTES:**
1. ALL RESISTORS ARE 1/2WATT, 10% CARBON UNLESS SPECIFIED.
 2. ALL CAPACITOR VALUES IN MFD, UNLESS SPECIFIED.
 3. MAINTAIN LINE AT 120V, 60Hz FOR ALL MEASUREMENTS.
 4. ALL VOLTAGES MEASURED TO CHASSIS GROUND.
 5. SET TUNED TO OFF-STATION FOR VOLTAGE MEASUREMENTS.
 6. SELECT AM FUNCTION TO CHECK AM VOLTAGES.
 7. SELECT FM FUNCTION TO CHECK FM VOLTAGES.
 8. ALL VOLTAGES WILL VARY DUE TO NORMAL PRODUCTION TOLERANCES.
 9. COIL BASING AND TRANSISTOR BASING DIAGRAMS SHOW BOTTOM VIEW.
 10. SQUARE WIRE PINS [] ARE TEST POINTS AND WIRE WRAP CONNECTIONS.
 11. ROUND CONNECTIONS () ARE WIRE CONNECTIONS ONLY.

TYPICAL AUDIO OUTPUT - 460MV, RMS
400n-75kHz DEV.